

1929  
1930

BIJUR LUBRICATION & FITTING CHART  
**AUBURN L-29**

PLACES  
LUBRICATED

FSA-1  
NICKEL PL.

FTB-1  
NICKEL PL.

FSA-1  
NICKEL PL.

FTD-0  
NICKEL PL.

HFC

FTD-0

FTA-2

FTA-2

FTC-3

B-1936  
~~B-1947~~

ENGINE FAN 1  
CLUTCH RELEASE BEARING 1  
ENGINE FAN DRIVE 1

ENGINE WATER PUMP 1

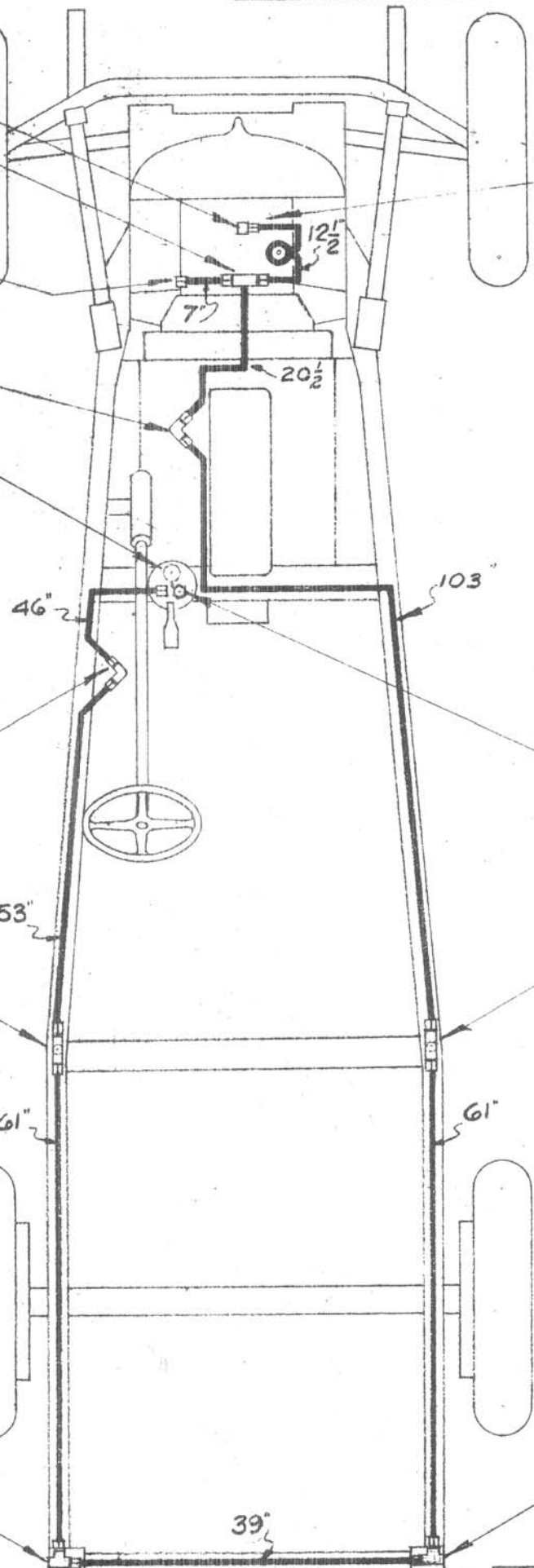
PEDAL SHAFT 2

B-3784  
~~B-1945~~

SPRING HINGE BOLTS 2

FTC-3 - SPRING SHACKLE BOLTS 4

TOTAL 12



Z-2903

8. 2. 32

BIJUR LUBRICATING CORP. 2208 43<sup>RD</sup> AVE. LONG ISLAND CITY, N.Y. ALL TUBING ANNEALED COPPER OR BRASS 5/32" O.D. X .025" WALL UNLESS OTHERWISE SPECIFIED.

2903