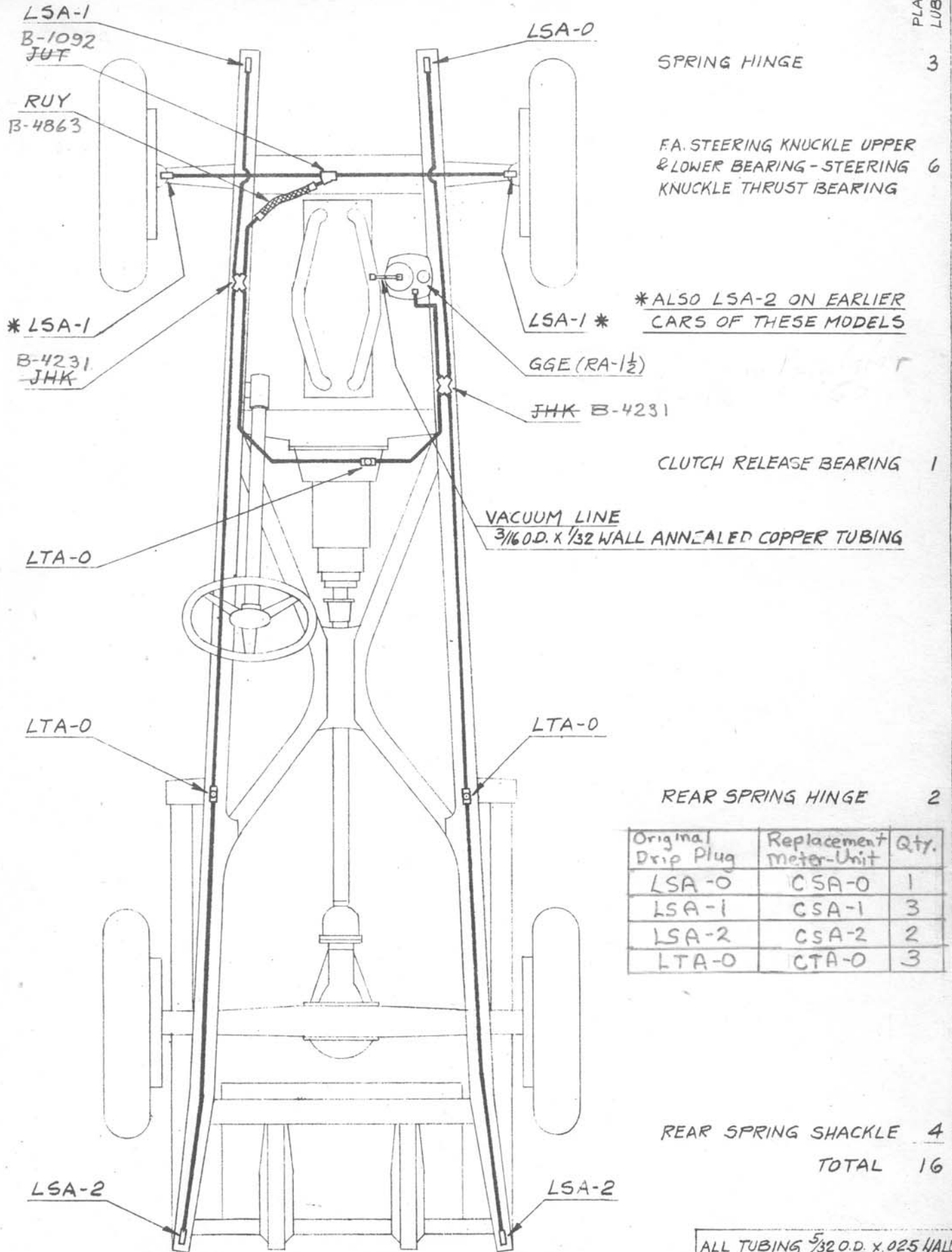


BIJUR LUBRICATION & FITTING CHART AUBURN 12-161, 12-165

PLACES
LUBRICATED



*ALSO LSA-2 ON EARLIER CARS OF THESE MODELS

CLUTCH RELEASE BEARING 1

VACUUM LINE
3/16 O.D. X 1/32 WALL ANNEALED COPPER TUBING

REAR SPRING HINGE 2

Original Drip Plug	Replacement Meter-Unit	Qty.
LSA-0	CSA-0	1
LSA-1	CSA-1	3
LSA-2	CSA-2	2
LTA-0	CTA-0	3

REAR SPRING SHACKLE 4
TOTAL 16

ALL TUBING 5/32 O.D. X .025 WALL ANNEALED COPPER OR BRASS UNLESS OTHERWISE SPECIFIED